

Viking 8+8 Port L2+ Ethernet Switches 8x10/100/1000Base-T + 8x100Base-FX Ports 28VDC, MM, 850nm

PRELIMINARY



Features

- 8+8 port L2+Ethernet switch in a rugged Aluminum housing with D38999 connector interfaces
- 8x100Base-FX Optical Ports
- 8x auto-negotiable 10/100/1000Base-T Ethernet ports
- Extended L2 Functionality, including Jumbo Frame support
- Compact size and light weight for simple mounting and installation
- Available with OD-CD, ZN-NI or electroless NI connector finishes
- Standard operating temperature range from -40°C to +85°C
- 28 VDC power supply input (12-36VDC) per MIL-STD-704F/MIL-STD-1275D
- Conduction cooled
- Designed to MIL-STD-810, MIL-STD-410, DO-160
- Consumes less than 20 Watts at 28VDC
- Weighs approx. 97 oz. (6 lbs)

Optional:

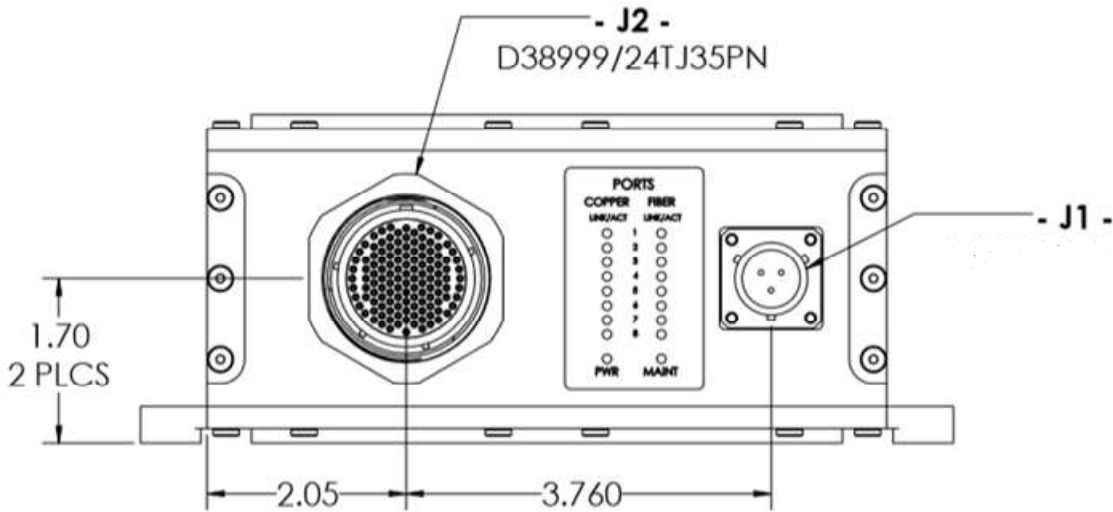
- LED indicator
- Other connector finishes
- Other connectivity options (different port count, form factors and fiber contacts)

Viking 8+8 Port L2+ Ethernet Switches

8x10/100/1000Base-T + 8x100Base-FX

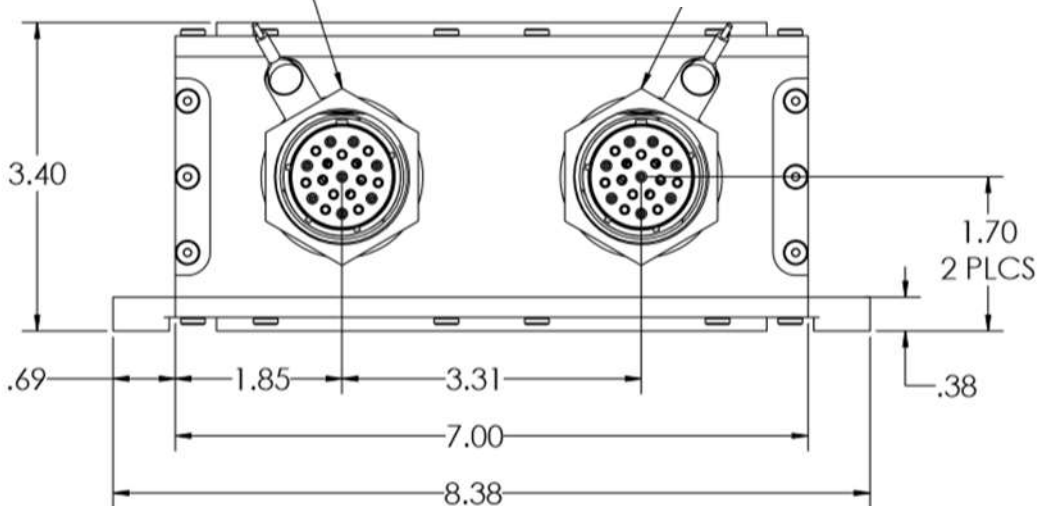
Ports 28VDC, MM, 850nm

PRELIMINARY



- J3 -
D38999/24TH21SN
D38999/33T21N 5" TETHER DUST COVER
ANCHOR AT 11 O'CLOCK

- J4 -
D38999/24TH21SN
D38999/33T21N 5" TETHER DUST COVER
ANCHOR AT 1 O'CLOCK

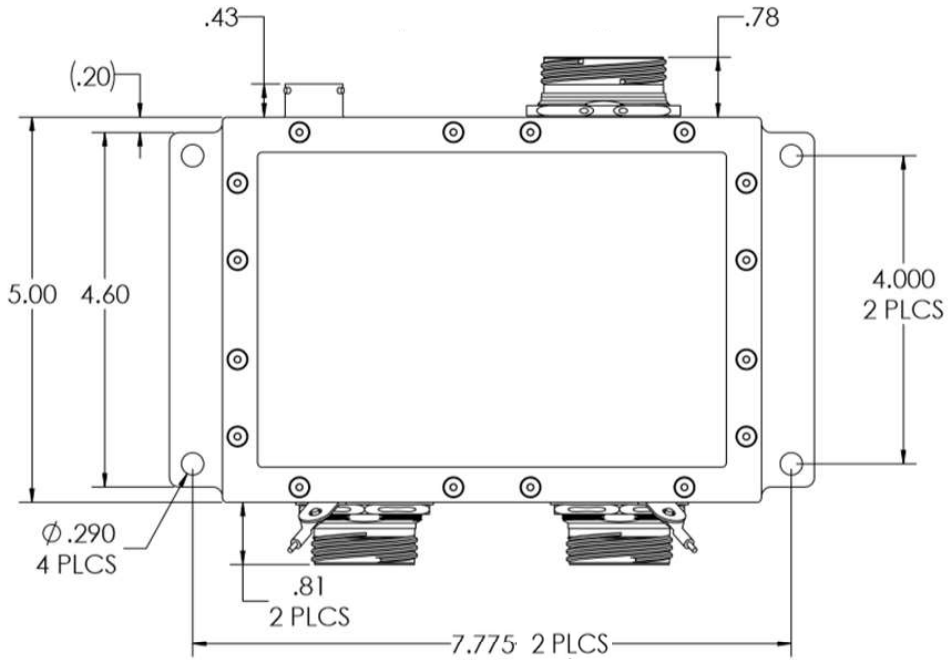


Viking 8+8 Port L2+ Ethernet Switches

8x10/100/1000Base-T + 8x100Base-FX

Ports 28VDC, MM, 850nm

PRELIMINARY



192 Bob Fitz Road, Johnson City, TN 37615
salesmp@moog.com
moogprotokraft.com

Product and company names listed are trademarks or trade names of their respective companies.

© 2019 Moog, Inc. All rights reserved.

VS526-AMWN-00y
Viking Ethernet Switch - Preliminary
March 9, 2021