

ELEXIS



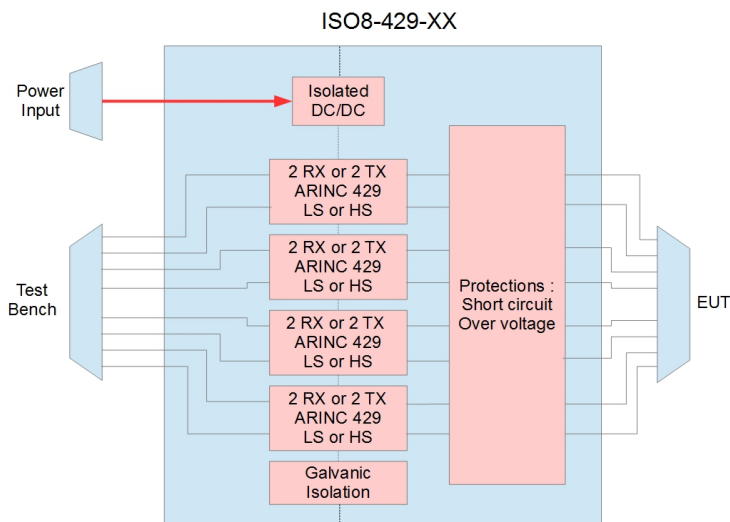
ISO9001-2008

ARINC 429 ISOLATOR DEVICE

DESCRIPTION:

The ISO8-429-xx contains features to protect Arinc 429 Lines. Equipment under test could generate over voltage, transient signal or short circuit which could damage Arinc 429 boards channels installed in a Test bench. The ISO8-429-xx protects the test bench using galvanic isolation, transorbs, gas tubes and clamping diodes.

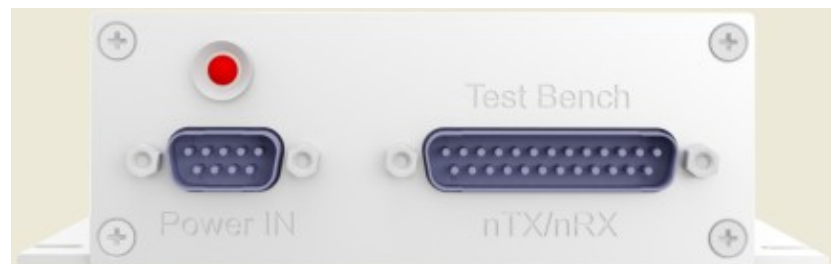
This device offers up to 8 lines, modulo 2 Rx or 2 Tx,



Up to 4 piggy boards with 2Rx or 2Tx channels can be plugged on the carrier board proposing from 8RX/0TX to 0RX/8Tx with all the between configuration. The protection circuits are installed on the carrier, on the Equipment side.

Low speed or High speed configuration via jumpers

Test Bench side: System is delivered with AC/DC adaptor 90-240VAC to 12 VDC and optionally 24 / 28 or 48 VDC. This is through 9 pins Sub-D connector screwed to be more secured.





System is provided with 2 Sub-D25 pins connectors , one on each side, with screws lock.



OPTIONAL :

- Power input 24VDC, 28VDC or 48VDC.
- Sub-D cable with Banana connectors 2mm lenght 1 feet : Ref Cab-1

ORDERING INFORMATION :

ELEXIS ISO8-429-X X-X

