

Falcon Series

Dual Port DVI Fiber Optic
Media Converter, D38999
28VDC, Multimode, 850nm, Quadrax

Dual DVI Port, Transmitter

FEATURES

- Optical fiber link distances up to 500 meters
- Operating temperature range from -40°C to +85°C
- Shock, vibration and immersion resistant per MIL-STD-810 and MIL-STD-1344
- Olive Drab Cadmium plating meets stringent corrosion performance specifications
- Aluminum alloy enclosure and MIL-DTL-38999 shells are strong, durable, corrosion resistant and light weight
- MIL-T-29504 compliant optical fiber connector interface
- D38999 / Quadrax electrical interface provides robust interconnection to internal chassis wiring or backbone

APPLICATIONS

Falcon series bulkhead mounted DVI fiber optic media converters enable high speed video transmission over long distances in harsh environments.

- DVI link extension
- Remote display clusters
- Alternative display configurations

The MIL-DTL-38999, Series III shell provides a sealed optical interface that is water-tight to MIL-STD-810 / IP67 / NEMA-4x when mated.

The multimode optical fiber interface supports applications where copper cable link distance, bandwidth, weight or bulk make the use of twisted pair, twinax or quadrax copper conductors unacceptable.



D38999 to Quadrax / Optical to Electrical Media Converter

DESCRIPTION

Falcon series DVI fiber optic transmitter consist of optoelectronic transmitter functions integrated into a bulkhead mounted MIL-DTL-38999 connector assembly. The optical transmitters are high output 850nm VCSEL's.

The electrical interface to the Falcon series DVI fiber optic media converters is a D38999/19-18 Quadrax connector enabling interconnection to a standard DVI connector interface with a Quadrax cable adaptor.

Falcon series DVI fiber optic transmitter are vibration isolated, environmentally hardened components designed for use in harsh environment applications.

- Sealed against liquid and solid contaminants
- Shock and vibration resistant

ORDERING INFORMATION

Application	Item Number
Dual DVI Transmitter, 28VDC	M38R-8TAV-HW
See Appendix A4 for more part number options	

Facilitating Secure Communications in Harsh Environments

Falcon Series MIL-DTL-38999, Dual Port DVI Fiber Optic Transmitter,
Quadrax, Multimode, 28VDC, 850nm VCSEL's

ABSOLUTE MAXIMUM RATINGS

Absolute maximum limits mean that no catastrophic damage will occur if the product is subjected to these ratings for short periods, provided each limiting parameter is in isolation and all other parameters have values within the performance specification. It should not be assumed that limiting values of more than one parameter can be applied to the product at the same time.

Parameter	Symbol	Minimum	Typical	Maximum	Unit
Storage Temperature	T_s	-55		+100	°C
Supply Voltage	V_{cc}	-0.5		45.0	V

RECOMMENDED OPERATING CONDITIONS

Parameter	Symbol	Minimum	Typical	Maximum	Unit
Operating Temperature	T_A	-40		+85	°C
Supply Voltage	V_{cc}	+18.0	+28.0	+36.0	VDC
Power Supply Noise (p-p)	N_p			200	mV

SPECIFICATIONS COMPLIANCE

Requirement	Feature	Condition	Notes
MIL-STD-883	ESD	Class II	2200V
MIL-STD-810	Vibration	3.8g ² /Hz	43G rms
MIL-STD-810	Shock	40.0g	6-9mS
MIL-STD-1344	Flame Resistance	Method 1012	30 Seconds
MIL-STD-1344	Damp Heat	10 Cycles	24 Hours
MIL-STD-38999	Mating Durability	500 Cycles	<0.5dB Change
FDA / CDRH / IEC-825-1	Eye Safety	Class 1	No Safety Interlocks Required

MATERIALS

Item	Detail	Notes
D38999 Cylindrical Shells	Aluminum Alloy	
Plating	Olive Drab Cadmium	
D38999 Inserts	Thermoplastic	
Interfacial Seals	Elastomer	
Optical Alignment Sleeves	Composite Polymer	
Printed Circuits	Polyimide / FR-4	
Housing	Aluminum Alloy	

Facilitating Secure Communications in Harsh Environments

Falcon Series MIL-DTL-38999, Dual Port DVI Fiber Optic Transmitter,
Quadrx, Multimode, 28VDC, 850nm VCSEL's

OPTICAL TRANSMITTERS T_A = Operating Temperature Range, V_{CC} = 18.0V to 36.0V

Parameter	Symbol	Minimum	Typical	Maximum	Unit
Optical Output Power (BER<10 ⁻¹²)	P_o	-9.5		-3.0	dBm
Optical Output Wavelength	λ_{OUT}	830	850	860	nM
Spectral Width	$\Delta\lambda_{RMS}$			0.85	nM
Extinction Ratio	ER	9.0			dB
Optical Rise, Fall Time (20% to 80%)	$t_{R,F}$			80	pS

POWER SUPPLY CURRENT T_A = Operating Temperature Range, V_{CC} = 18.0V to 36.0V

Parameter	Symbol	Minimum	Typical	Maximum	Unit
Supply Current	I_{CCT}		200	250	mA

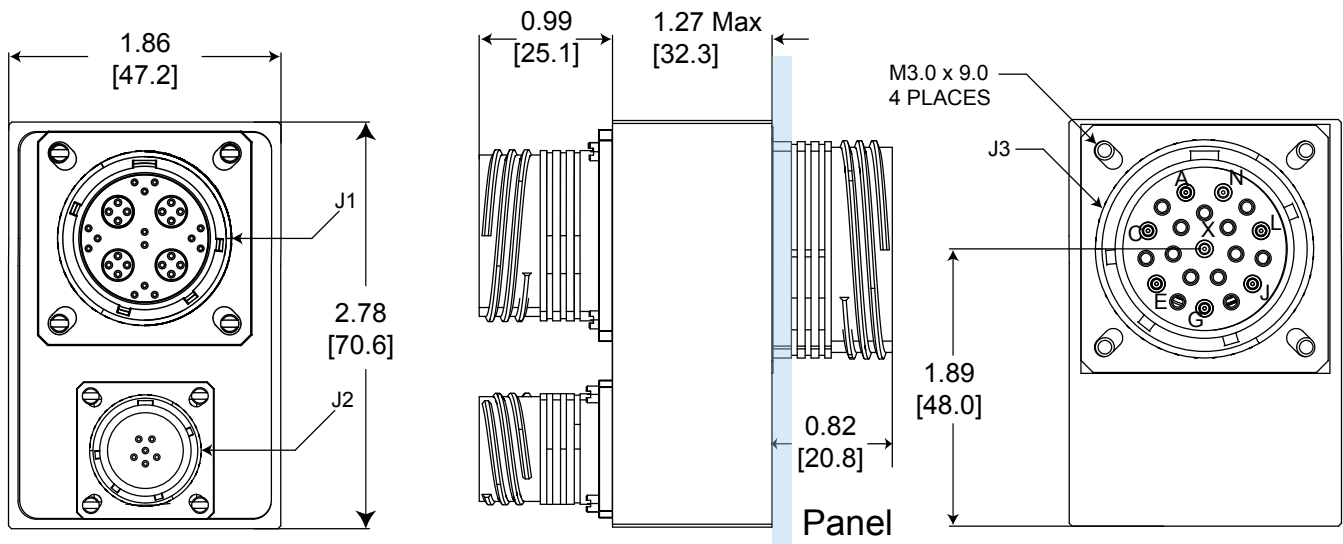
Facilitating Secure Communications in Harsh Environments

Falcon Series MIL-DTL-38999, Dual Port DVI Fiber Optic Transmitter,
 Quadrx, Multimode, 28VDC, 850nm VCSEL's

OUTLINE DRAWING

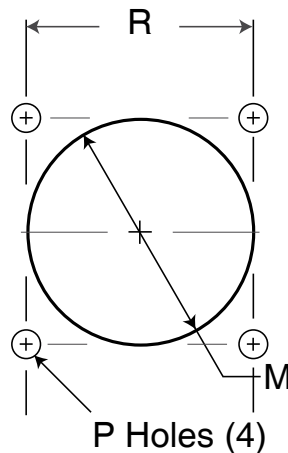
Dimensions are shown as: inches (mm)

Weight = 8.3 oz / 235 grams



Panel Cutout Dimensions Rear Panel Mounting Only

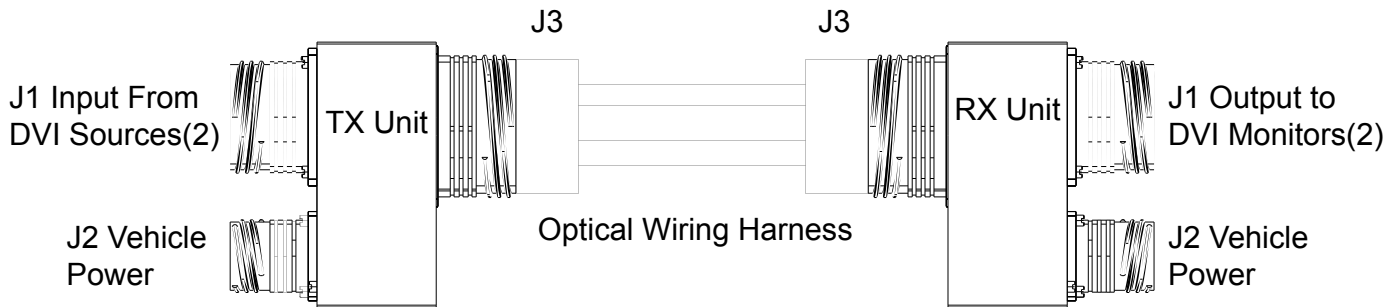
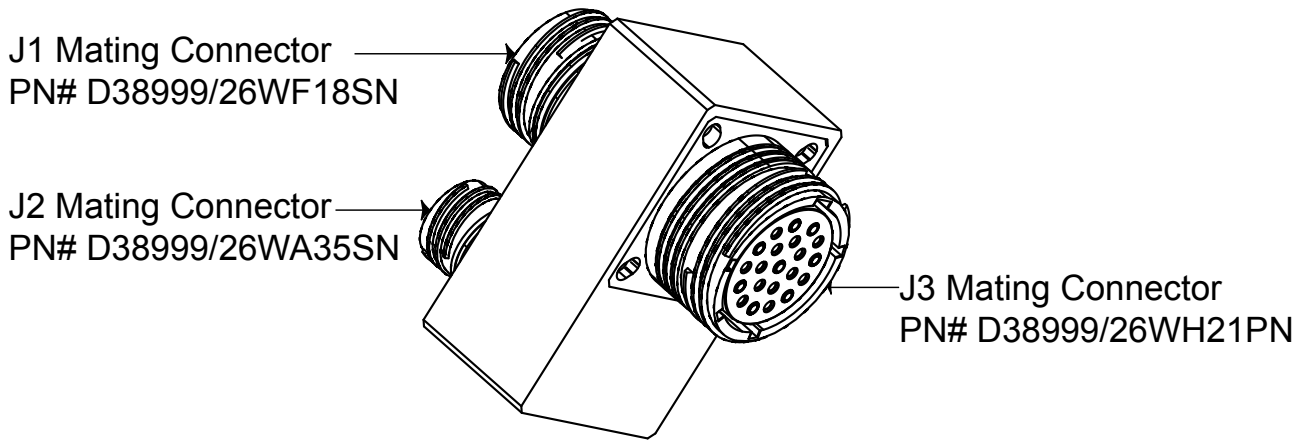
Shell Size Code	Shell Size	M Min	P Holes	R Bsc
H	23	1.547 (39.29)	0.159 (4.0) 0.149 (3.8)	1.375 (34.9)



Facilitating Secure Communications in Harsh Environments

Falcon Series MIL-DTL-38999, Dual Port DVI Fiber Optic Transmitter,
 Quadrax, Multimode, 28VDC, 850nm VCSEL's

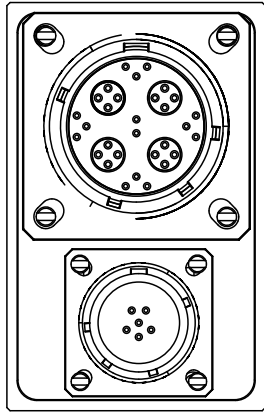
CONNECTION REQUIREMENTS



J3 PIN #	DVI Port #	DVI Cable Color
J	0	Blue
L	1	Blue
N	0	Green
G	1	Green
X	0	Red
A	1	Red
E	0	Clock
C	1	Clock

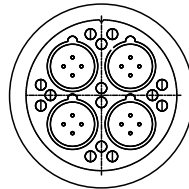
Facilitating Secure Communications in Harsh Environments

Falcon Series MIL-DTL-38999, Dual Port DVI Fiber Optic Transmitter,
 Quadrax, Multimode, 28VDC, 850nm VCSEL's
MEDIA CONVERTER INSERT ARRANGEMENTS



J1

**Media Converter
 Insert Assignments**



**Media Converter
 Pin Functions**

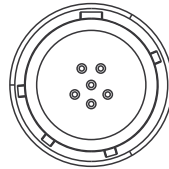
Electrical Signal Interface

See Appendix A3

Power Supply Interface

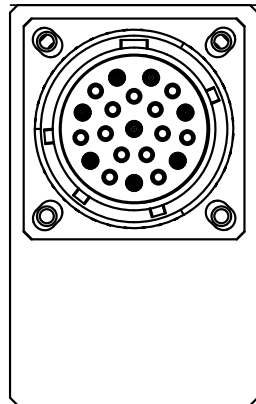
See Appendix A4

J2

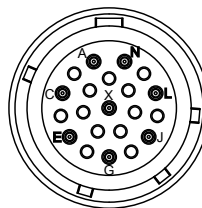


**Media Converter
 Optical Pin Numbers**

**Media Converter
 Optical Functions**



J3



Optical Fiber Interface

See Appendix A2

Falcon Series MIL-DTL-38999, Dual Port DVI Fiber Optic Transmitter,
 Quadrax, Multimode, 28VDC, 850nm VCSEL's

APPENDIX A1

MIL-DTL-38999 FIBER OPTIC CABLE PLUG / MIL-T-29504 PIN TERMINI

*See DSCC or SAE QPL for Approved Suppliers

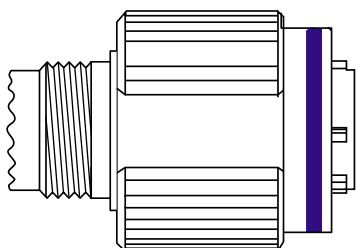
<http://www.dsccl.dla.mil/programs/qmlqpl/QPLdetail.asp?QPL=38999>

*D38999 PLUG - PIN INSERT

MIL-DTL-38999 CABLE PLUG

MS PLUG P/N

*D38999/26WH21PN

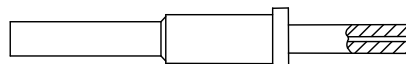


*FIBER OPTIC PIN TERMINUS

MIL-T-29504 PIN TERMINUS

MS PIN TERMINUS P/N

*M29504/04-xxxx**



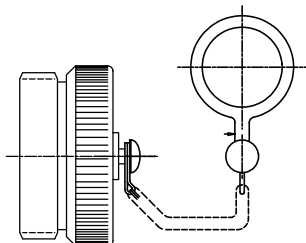
**defined by fiber optic cable configuration

*CABLE PROTECTION CAP

D38999/32 PLUG PROTECTION CAP

MS PLUG CAP P/N

*D38999/32W23N



D38999 PLUG PORT FUNCTIONS

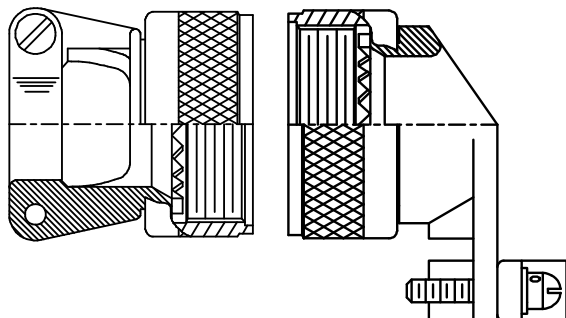
PORT NUMBER	0	1
Blue	J	L
Green	N	G
Red	X	A
Clock	E	C

*CABLE BACKSHELL

MIL-C-85049 CABLE BACKSHELL

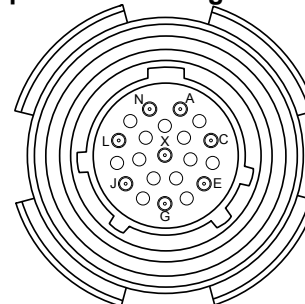
MS BACKSHELL P/N

*MS85049/xxxxxx**



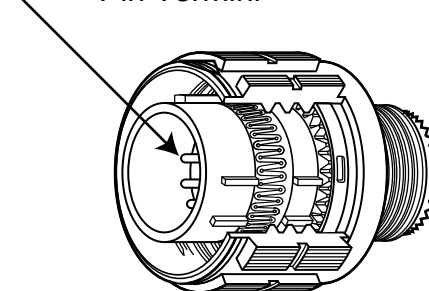
**Straight or angled backshell - defined by application / mounting configuration

TOP Optical Cable Plug Interface



Front face of the optical cable plug pin insert shown. Transceiver insert opposite.

Pin Termini



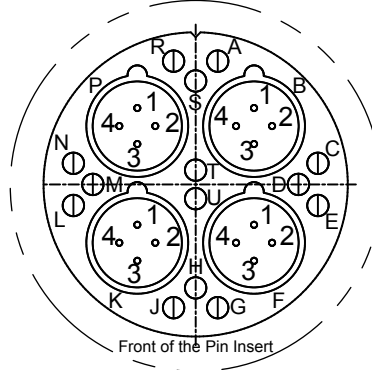
Falcon Series MIL-DTL-38999, Dual Port DVI Fiber Optic Transmitter,
 QuadraX, Multimode, 28VDC, 850nm VCSEL's

APPENDIX A2

J1 Pin Functions

Electrical Data Connector Wiring Schematic

Top



Front view of the D38999/19-18 electrical insert shown,
 mating electrical cable plug opposite.

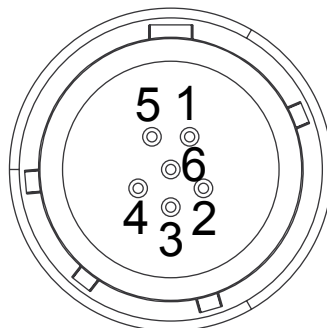
Dual Port DVI Media Converters

Pin	Channel	Function	+/-	Pin	Channel	Function	+/-
A	N/A	No Connect	N/A	K1	0	TMDS - Red	-
B1	0	TMDS - Blue	-	K2	0	TMDS - Red	+
B2	0	TMDS - Blue	+	K3	1	TMDS - Red	-
B3	1	TMDS - Blue	-	K4	1	TMDS - Red	+
B4	1	TMDS - Blue	+	L	N/A	No Connect	N/A
C	N/A	No Connect	N/A	M	N/A	No Connect	N/A
D	N/A	No Connect	N/A	N	N/A	No Connect	N/A
E	N/A	No Connect	N/A	P1	0	TMDS - Clock	-
F1	0	TMDS - Green	-	P2	0	TMDS - Clock	+
F2	0	TMDS - Green	+	P3	1	TMDS - Clock	-
F3	1	TMDS - Green	-	P4	1	TMDS - Clock	+
F4	1	TMDS - Green	+	R	N/A	No Connect	N/A
G	N/A	No Connect	N/A	S	N/A	No Connect	N/A
H	N/A	No Connect	N/A	T	N/A	No Connect	N/A
J	N/A	No Connect	N/A	U	N/A	No Connect	N/A

Falcon Series MIL-DTL-38999, Dual Port DVI Fiber Optic Transmitter,
QuadraX, Multimode, 28VDC, 850nm VCSEL's

APPENDIX A3

J2 Pin Functions - Power Supply Connector Electrical Power Cable - Connector Wiring Schematic Top



Front view of the D38999/09-06 electrical insert shown,
mating electrical cable plug opposite.

Pin	Function
1	Isolated Case Ground
2	Isolated Case Ground
3	Isolated Case Ground
4	Isolated Case Ground
5	18 - 36 VDC Return
6	18 - 36 VDC

Falcon Series MIL-DTL-38999, Dual Port DVI Fiber Optic Transmitter,
Quadrax, Multimode, 28VDC, 850nm VCSEL's

APPENDIX A4 PART NUMBER OPTIONS

DVI Fiber Optic Transmitters, 850nm

M38R - 8 TAV - H X X

Shell Configuration
M38R= 38999 Receptacle

Fiber Channels
8 = Eight

Fiber Optic Interface
T = 850nm MM TX

Power Supply Voltage
A= 28.0VDC

Electrical Interface
V = DVI

Shell Size Code
H = 23 - 21

Shell Plating
F = NI
W = OD CD / NI
Z = ZN / NI

Shell Polarization
(leave blank) _ = N
A = A
B = B
C = C
D = D

Other wavelength, mounting and port count options are available.
Please consult the Protokraft website for alternate configurations.